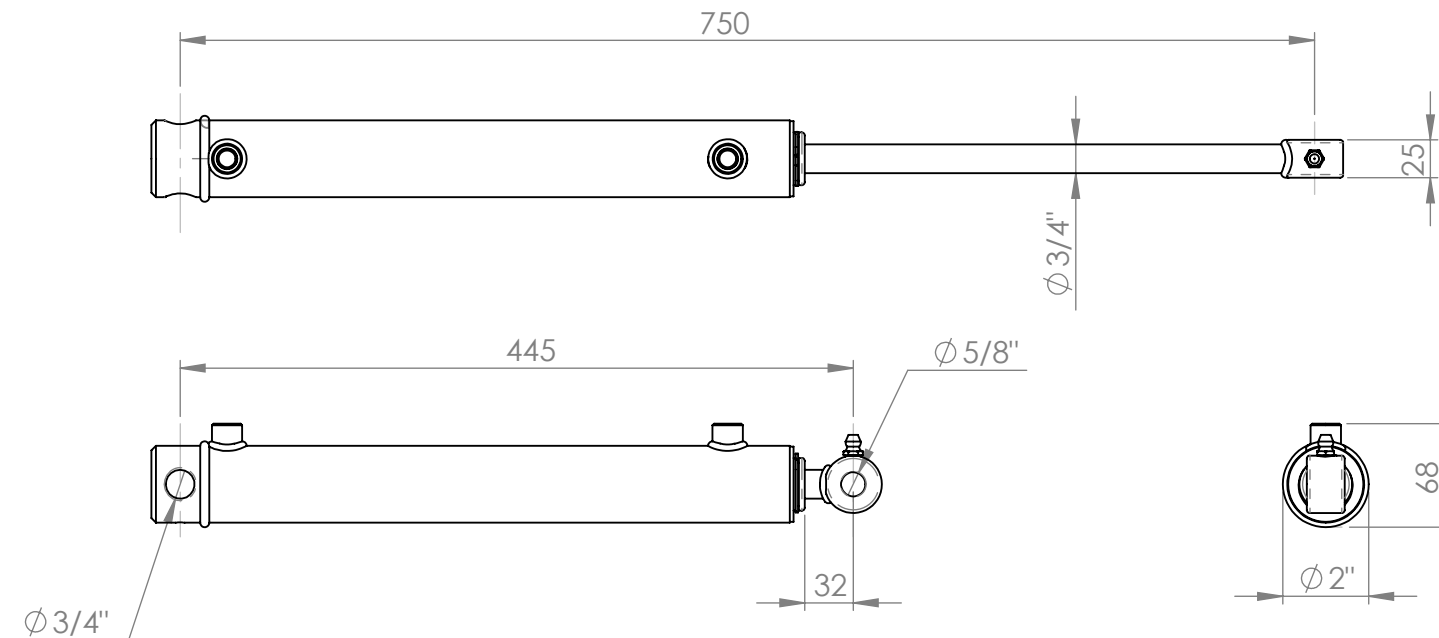
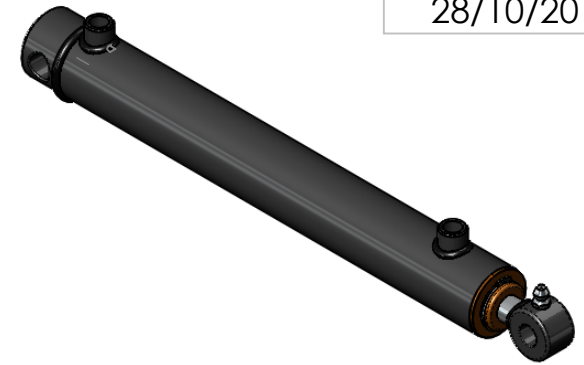


DO NOT SCALE

28/10/2014



The information contained in this drawing is proprietary to MOTUS and shall not be reproduced or disclosed in whole or in part or used for any design or manufacture except when such user possesses direct written authorisation from MOTUS

Ram Phone: 0800 66 88 74
 Phone: +64 6 879 8590
 sales@motushydraulics.co.nz
 www.motushydraulics.co.nz

DESCRIPTION	PC5		
SEAL KIT No:	SK15075		
FORCE EXTENSION	1760kg @ 2250psi	FORCE RETRACT	1320kg @ 2250psi
STROKE	305mm	PORTS	1/4" M BSPP RESTRICTED
CLOSED CENTRES	445mm	BASE MOUNT	6527-1
OPEN CENTRES	750mm	SHAFT MOUNT	6594