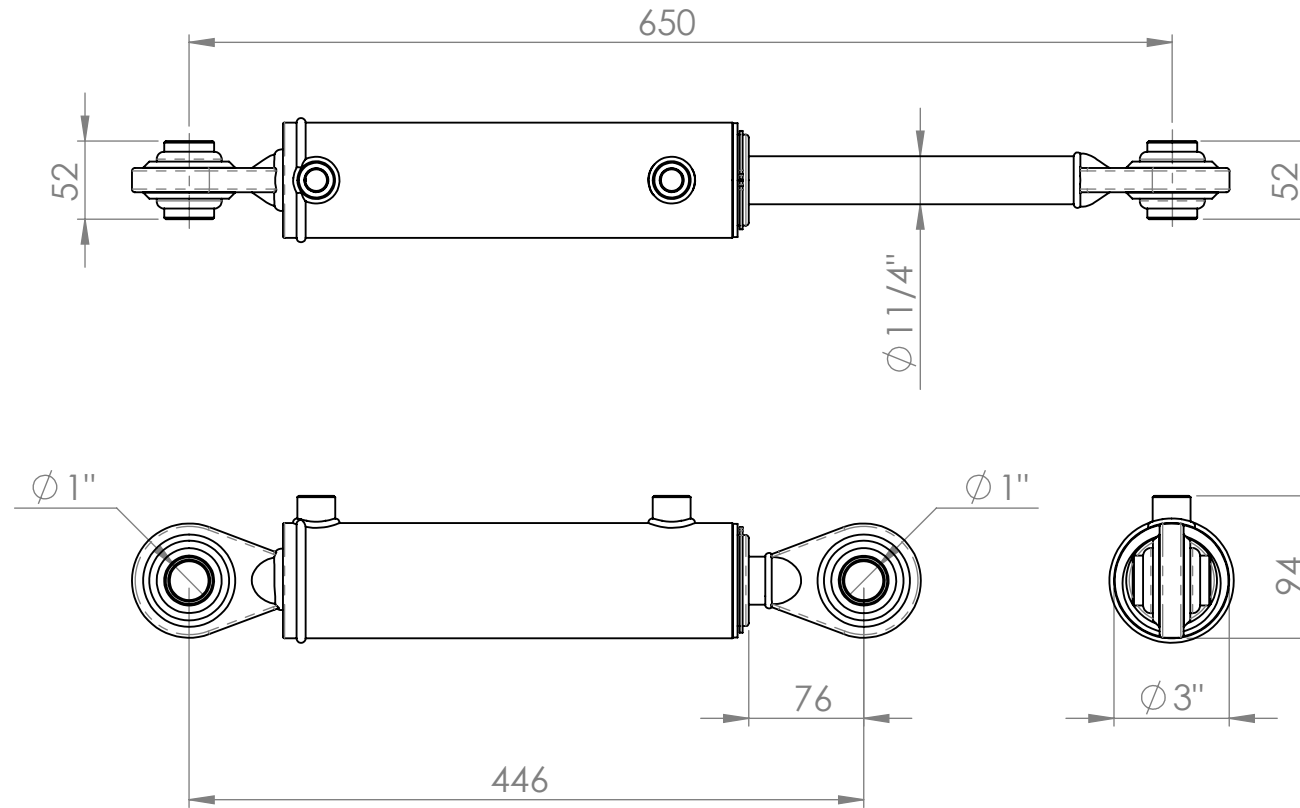
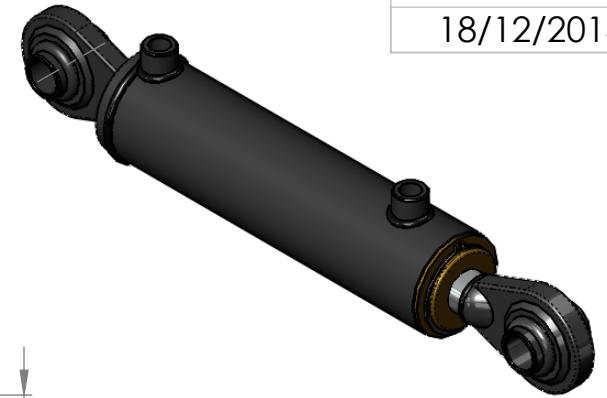


DO NOT SCALE

18/12/2014



The information contained in this drawing is proprietary to MOTUS and shall not be reproduced or disclosed in whole or in part or used for any design or manufacture except when such user possesses direct written authorisation from MOTUS

Ram Phone: 0800 66 88 74  
 Phone: +64 6 879 8590  
 sales@motushydraulics.co.nz  
 www.motushydraulics.co.nz

DESCRIPTION	OPS DOOR RAM		
SEAL KIT No:	SK2500125		
FORCE EXTENSION	4900kg @ 2250psi	FORCE RETRACT	3140kg @ 2250psi
STROKE	204mm	PORTS	3/8" FM BSPP
CLOSED CENTRES	446mm	BASE MOUNT	CAT 2 BALL END
OPEN CENTRES	650mm	SHAFT MOUNT	CAT 2 BALL END